



ALLEGION™

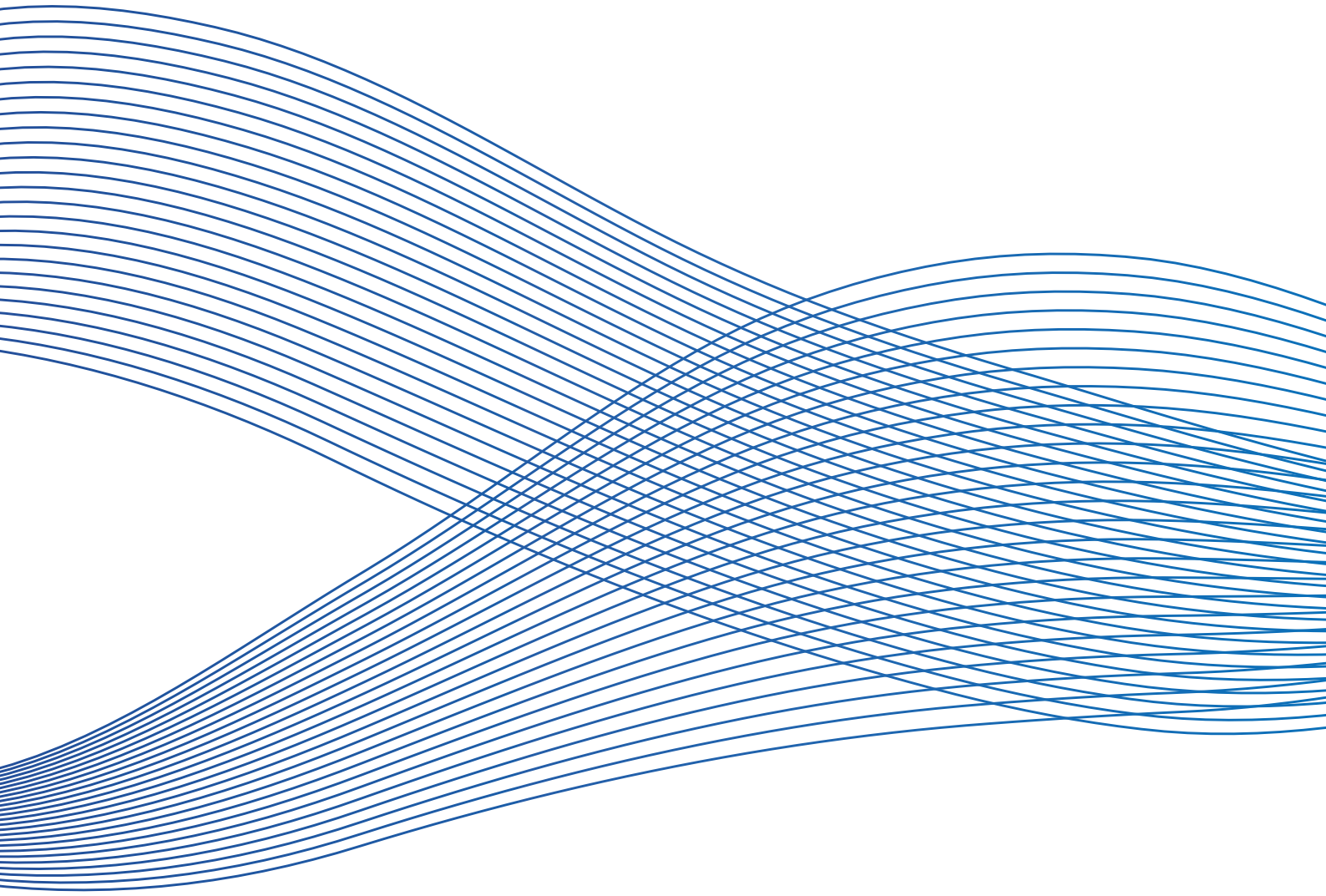


Electric strikes



Contents

4	Introduction
5	Application table
6	FES90M-P
8	FES20 Series
10	FES10 Series
12	FES15 Series
14	FES7
16	FES112 Series
18	FES110 Series



Introduction

FSH and Schlage - the future of access control

Long trusted and chosen by those in the industry, FSH® and Schlage® are combining experience, expertise, and vision to set the future of electronic access control for Australian business and industry.

As part of the Allegion™ family of brands, both FSH and Schlage are leveraging more than a century of innovation and global experience to solve some of today's most challenging security problems. Securing some of Asia Pacific's most sensitive buildings, FSH products are known for their reliability, innovation and strength. Together with global technology leader Schlage, the Australian-based development team are working towards a smarter, safer and more secure future.

Some of Australia's best electromechanical engineers work to ensure the highest level of durability and security are met. Each product is rigorously tested with advanced equipment to confirm market suitability and on-going quality standards are met, delivering dependable products for customers. All this is backed by Australian-based customer service, technical support and training departments, so customers can be confident of support every step of the way.

Able to work locally and globally, FSH and Schlage electronic access control products provide protection at critical moments – when property and personal security are at stake.

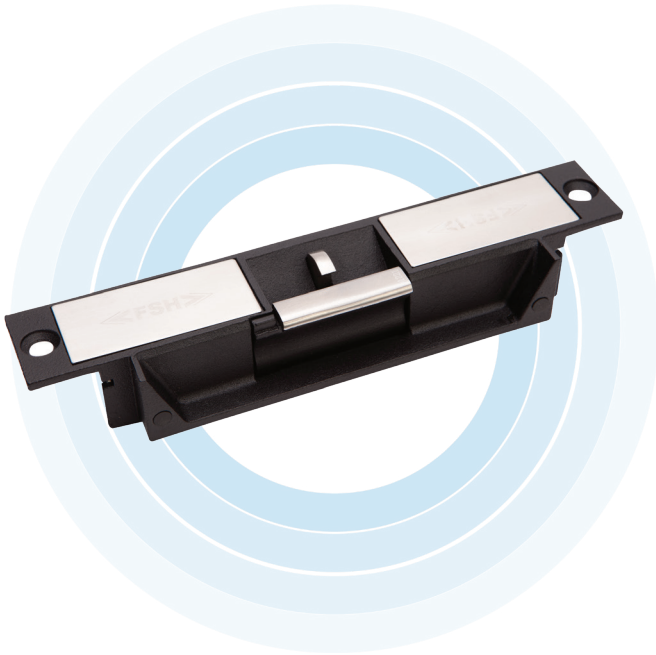
Application table

	FES7	FES10	FES10M	FES15	FES15M	FES20	FES20M	FES90M-P	FES110-PTL	FES110-PTO	FES112
Application	Residential & Light Commercial					Commercial - Medium to High					Custodial
Holding Strength	500kg	1000kg	1000kg	1200kg	1200kg	1200kg	1200kg	1300kg	500kg	500kg	1000kg
Lock Mode - field changeable	PTO PTL	PTO PTL	PTO PTL	PTO PTL	PTO PTL	PTO PTL	PTO PTL	PTO PTL	-	-	(PTO)
Voltage	12VDC	12VDC 24VDC	12VDC 24VDC	12VDC 24VDC	12VDC 24VDC	10-30 VDC	11-30 VDC	10-30 VDC	12-30 VDC	12-30 VDC	12-30 VDC
Current Draw	90mA	200mA 100mA	200mA 100mA	200mA 100mA	200mA 100mA	200mA 80mA	200mA 80mA	300mA 15mA	900mA 450mA	900mA 450mA	1.5A@12VDC 0.75A@24VDC
LSS Monitoring	-	-	✓	-	✓	-	✓	✓	✓	✓	✓
DSS Monitoring	-	-	-	-	-	-	✓	✓	✓	✓	✓
Anti Tamper	-	-	-	-	-	-	✓	-	-	-	✓
Pre-Load	-	-	-	-	-	-	-	35kg	-	-	-
Fire Rating*	-	4hr	4hr	2hr	2hr	4hr	4hr	4hr	4hr	4hr	-
Warranty	1yr	5yr	5yr	5yr	5yr	5yr	5yr	5yr	2yr	2yr	2yr

*Contact Allegion for more details

FES90M-P

HIGH SECURITY ELECTRIC STRIKE



The patented FES90M-P motorised high security electric strike is a revolutionary electric locking solution. The high pre-load /side-load tolerance, and minimal energy consumption in Sleep Mode, makes this an economic security solution.

The strike accepts voltages from 10 to 30VDC, is pre-drilled for extension lips and has a unique Power To Lock (PTL) / Power To Open (PTO) field interchangeable function.

The strike consumes current less than 300mA @ 12VDC at full 35kg pre-load only during locking and unlocking action. In the locked or unlocked state (Sleep Mode), the electric strike consumes less than 15mA @ 12VDC.

The FES90M-P provides two forms of monitoring:

- Lock Status Sensor (LSS)
- Door Status Sensor (DSS)

FES90M-P comes with a 10mm strike lip as standard.

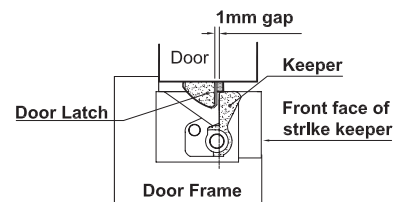
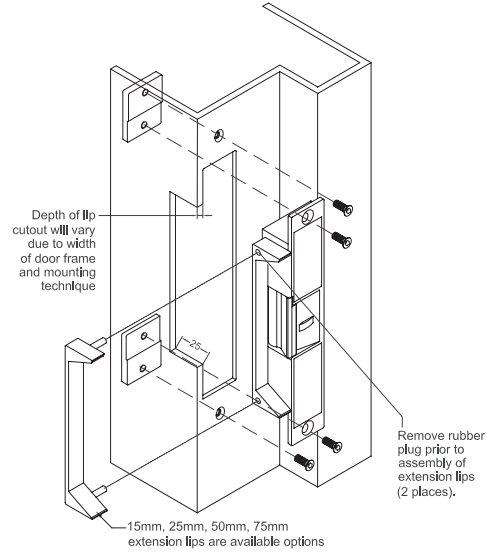
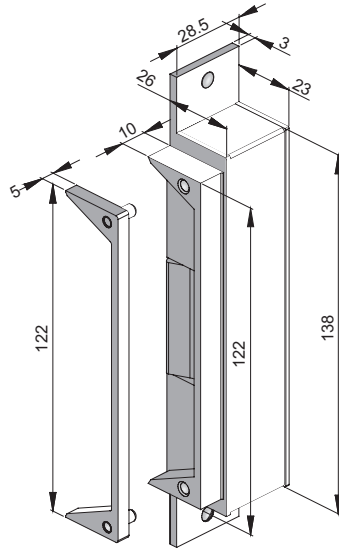
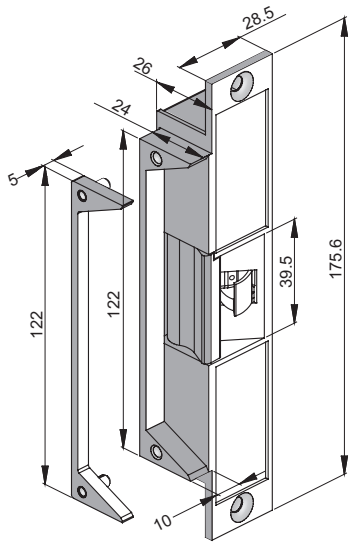
Technical Details

Part No.	FES90M-P
Function	Mortice Mount, Power To Lock (PTL) / Power To Open (PTO) field interchangeable, 35kg of Pre-Load capability
Holding Strength	Up to 1300kg Tested to 1.5 million full 35kg pre-load cycles
Voltage/Current	Multi Voltage 10-30VDC Action Mode: 300mA@12VDC at full 35kg pre-load only during locking and unlocking action Sleep-Mode: 15mA @ 12VDC in locked or unlocked mode
Approvals	Up to 4-hour fire rated in accordance with AS1905.1:2015 (contact Allegion for more details) CE/UL SCEC Approved (FES90M-P-S only)
Monitoring	LSS - Status Sensor of the internal locking mechanism DSS - Door Status Sensor, Door latch engaged within strike keeper
Temperature Range	-20°C to +60°C

Product Features

- Releases with up to 35kg of pre-load / side-load
- Motorised locking device
- Durability tested to 1.5 million full pre-load cycles of 35kg
- Multi voltage from 10 to 30VDC
- Sleep Mode Current less than 15mA@12VDC
- Fully monitored including Reed Switch for door position
- Pre-drilled for extension lips
- Up to 1300kg holding strength
- 5 year warranty
- Guaranteed shock/hammer resistant
- CE/UL

Product Dimensions and Installation



Product Codes & Accessories

Part No.	Product Description
FES90M-P	HIGH SECURITY ELECTRIC STRIKE WITH PRE-LOAD CAPABILITIES AUSTRALIAN FOOTPRINT MONITORED 10MM LIP
FES20-EL15	FES20 EXTENSION LIP 15MM
FES20-EL25	FES20 EXTENSION LIP 25MM
FES20-EL50	FES20 EXTENSION LIP 50MM
FES20-EL75	FES20 EXTENSION LIP 75MM
FES20-REBATE	REBATE KIT FOR FES20 SERIES AND FES90MP (STAINLESS STEEL)
FES90M-P-S	FES90M-P (SCEC VERSION)

FES20 SERIES

HIGH-SECURITY ELECTRIC STRIKES AUSTRALIAN FOOTPRINT



The patented FES20 Series high security electric strikes are manufactured from stainless steel, accept voltages from 11 to 30VDC and have a simple and unique Power To Lock (PTL) / Power To Open (PTO) field interchangeable mechanism, with no loose screws or pins.

All FES20 strikes come with a 10mm strike lip as standard and are also pre-drilled for extension lips.

The FES20M monitored electric strike provides full monitoring including LSS (Lock Status Sensor), DSS (Door Status Sensor) and ATS (Anti-Tamper Sensor).

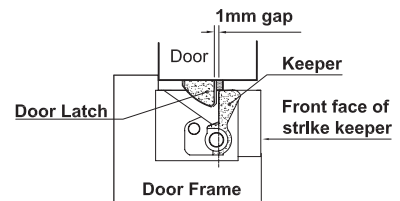
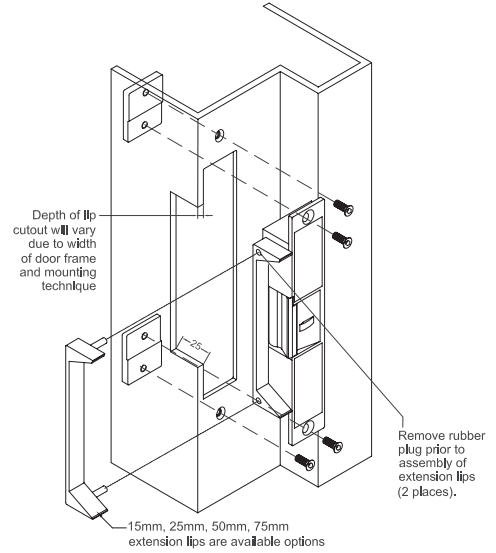
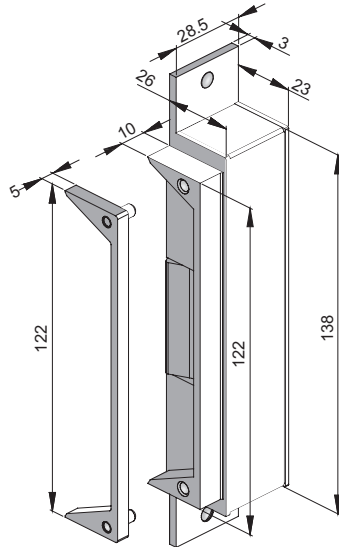
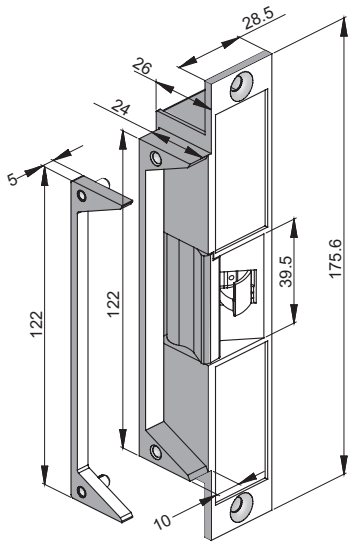
Technical Details

Part No.	FES20M	FES20
Function	Mortice mount, Power To Lock (PTL) / Power To Open (PTO) field interchangeable	
Holding Strength	Up to 1200kg Tested to 2 million cycles	
Voltage/Current	Multi Voltage 11-30VDC. 220mA @12VDC. 120mA @ 24VDC. 80mA @ 30VDC	
Approvals	Up to 4-hour fire rated in accordance with AS1905.1:2015 (contact Allegion for more details) CE/UL SCEC Approved (FES20M)	
Monitoring	FES20 Non monitored FES20M Fully monitored. Anti Tamper Sensor (ATS). Door Status Sensor (DSS). Lock Status Monitoring Sensor (LSS)	

Product Features

- 5 year warranty
- Simple Power To Lock (PTL) / Power To Open (PTO) field interchangeable mechanism
- No loose pins and springs
- Pre-drilled for extension lips
- Mounting kit included
- CE/UL

Product Dimensions and Installation



Product Codes & Accessories

Part No.	Product Description
FES20	HIGH SECURITY ELECTRIC STRIKE AUSTRALIAN FOOTPRINT NON-MONITORED 10MM LIP
FES20M	HIGH SECURITY ELECTRIC STRIKE AUSTRALIAN FOOTPRINT MONITORED 10MM LIP
FES20-REBATE	REBATE KIT FOR FES20 SERIES (STAINLESS STEEL)

FES10 SERIES

COMPACT ELECTRIC STRIKE



The FES10 Series electric strikes are designed for light commercial and residential applications. With a small ANSI footprint, the strikes accept either 12 or 24VDC and have been tested to a 2-hour fire rated in accordance with AS 1530.4:2005 (contact Allegion for more details).

The strikes are easily Power To Lock (PTL) / Power To Open (PTO) field interchangeable by simply changing over the barbell mechanism. The device is pre-drilled to cater for extension lips, comes with a 5 year warranty and has a holding strength of up to 1200kg.

The FES10M version has Door Status Sensor monitoring. The FES10 is weather resistant to IP56 standard.

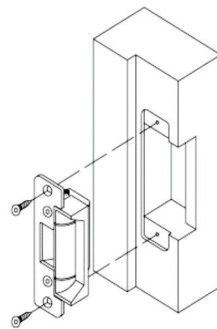
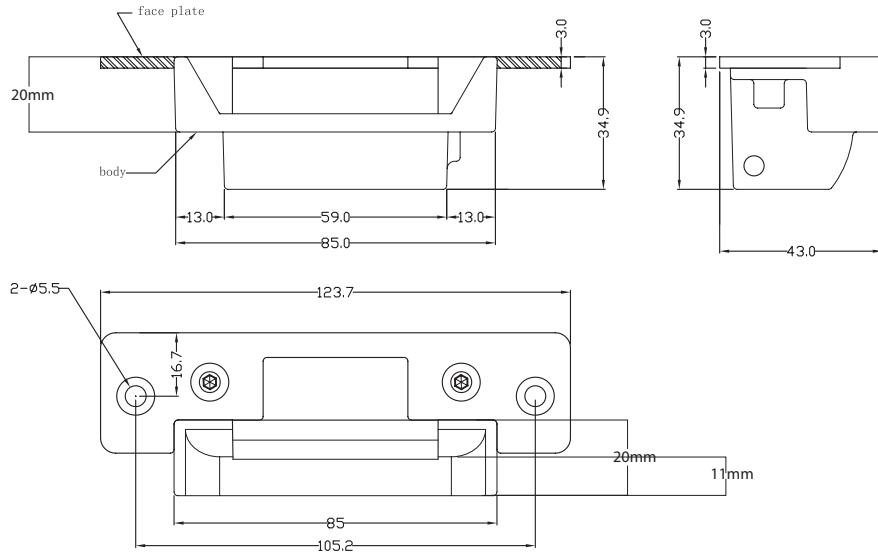
Technical Details

Part No.	FES10M	FES10
Function	Mortise mount, Power To Lock (PTL) / Power To Open (PTO) field interchangeable	
Holding Strength	Up to 1000kg	
Voltage/Current	Dual Voltage 12VDC/24VDC. 200mA @ 12VDC. 100mA @ 24VDC	
Approvals	Up to 4-hour fire rated in accordance with AS 1905 (contact Allegion for more details) CE/UL	
Monitoring	Door latch monitoring	Non monitored
Dimensions	L= 125 x W= 42 x D= 35mm	

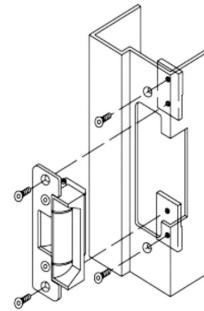
Product Features

- Stainless steel faceplate and keeper
- Barbell mechanism for simple change of locking function
- Low power consumption
- Compatible with door latch depth of up to 15mm
- Superior holding strength of up to 1000kg
- 5 year warranty
- 12 or 24VDC operation
- Pre-drilled for extension lips
- CE/UL

Product Dimensions and Installation



Mounting Installation on wooden door frame



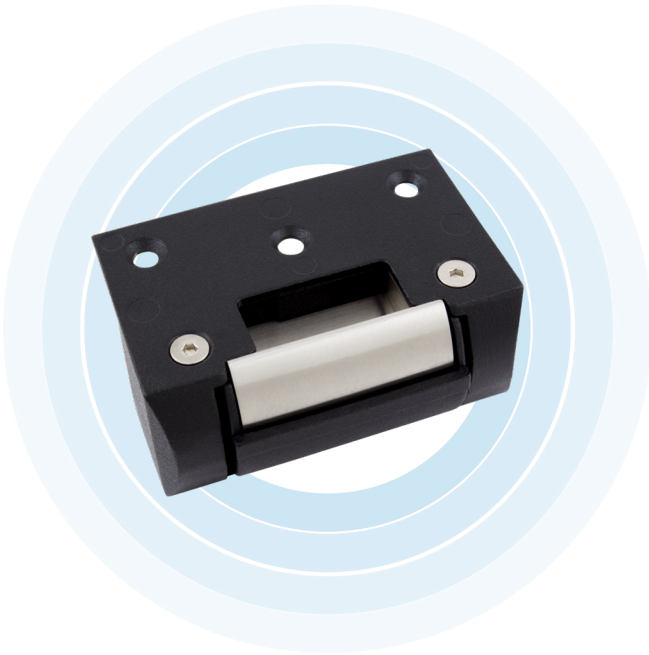
Mounting installation on metal, aluminium or PVC door frame

Product Codes & Accessories

Part No.	Product Description
FESI0M	ELECTRIC STRIKE ANSI FOOTPRINT MONITORED
FESI0	ELECTRIC STRIKE ANSI FOOTPRINT NON-MONITORED
FESI0-EL15	FESI0 EXTENSION LIP 15MM
FESI0-EL25	FESI0 EXTENSION LIP 25MM
FESI0-EL50	FESI0 EXTENSION LIP 50MM
FESI0-EL75	FESI0 EXTENSION LIP 75MM

FES15 SERIES

ELECTRIC STRIKE – RIM MOUNTED



The FES15 Series electric strikes are designed for residential or light commercial applications where a rim mounted strike is required, such as pedestrian gates.

The FES15 Series accept either 12 or 24VDC and are fire tested up to a 4-hour fire rating under British and Australian Fire Test Standards (contact Allegion for more details).

The strikes are easily Power To Lock (PTL) / Power To Open (PTO) field interchangeable by simply changing over the barbell mechanism. The device comes with a 5 year warranty and has a holding strength of up to 1200kg.

The FES15M version has Door Status Sensor monitoring.

Technical Details

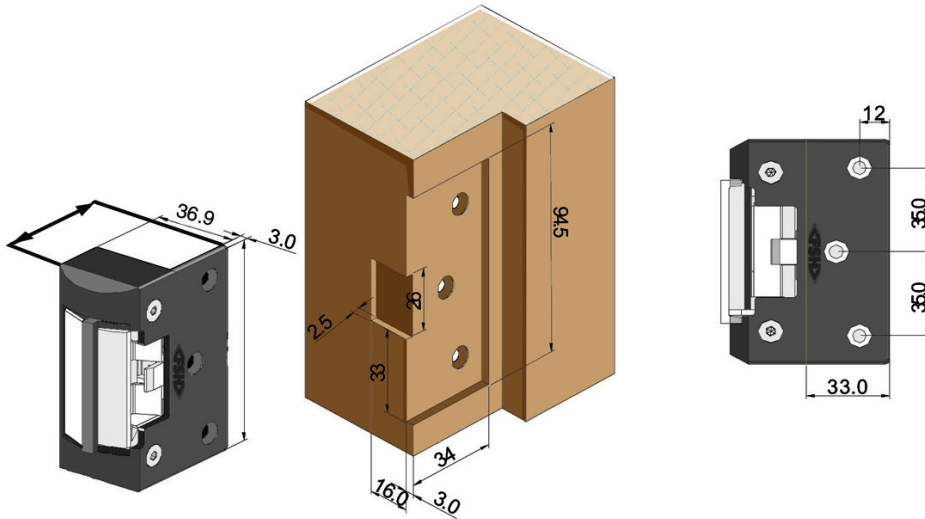
Part No.	FES15M	FES15
Function	Surface mount electric strike for rim latch control Power To Lock (PTL) / Power To Open (PTO) field interchangeable	
Holding Strength	Up to 1200kg	
Voltage/Current	Dual voltage 12VDC/24VDC. 200mA @12VDC. 100mA @ 24VDC	
Approvals	Up to 4-hour fire rating (contact Allegion for more details) CE/UL	
Monitoring	Door status monitoring	Non monitored

Product Features

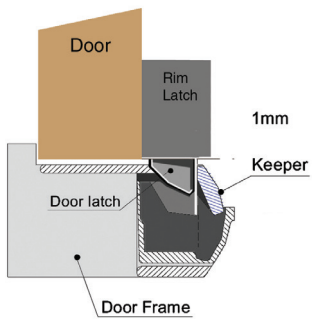
- Barbell mechanism for easy change of locking function
- Low power consumption
- Superior holding strength of up to 1200kg
- 5 year warranty
- 12 or 24VDC operation
- Surface mount for rim locks
- CE/UL

Product Dimensions and Installation

Timber door frame - cut out



Mechanical door lock configuration



Product Codes & Accessories

Part No.	Product Description
FESI5M	ELECTRIC STRIKE RIM MOUNTED, MONITORED
FESI5	ELECTRIC STRIKE, RIM MOUNTED - NON-MONITORED

FES7 SERIES

COMPACT ELECTRIC STRIKE



The FES7 is a compact and versatile electric strike. Suitable for all types of door frames, the FES7 has been designed to be fitted in place of an entrance set strike plate and is easy to install.

The compact size of the FES7 also assists with maintaining the integrity and strength of the door frame. The versatile strike can be mounted on either side of the door and is site interchangeable to function as Power To Lock (PTL) / Power To Open (PTO).

Technical Details

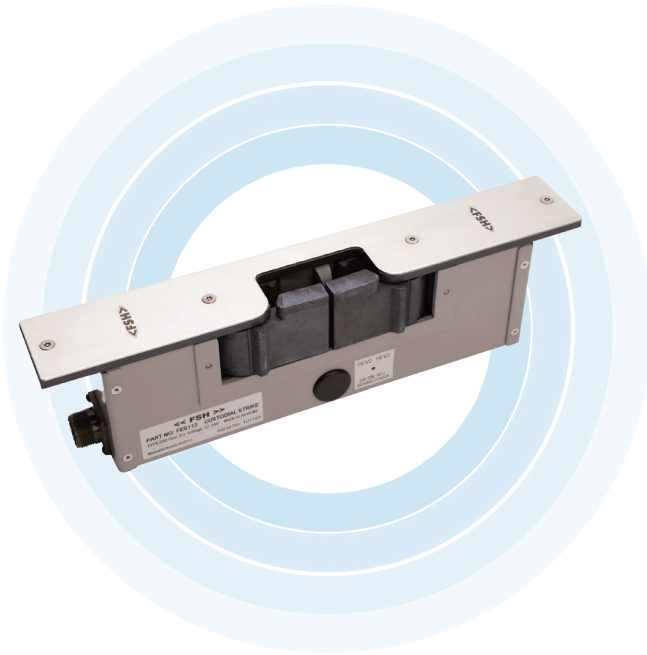
Part No.	FES7
Function	Power To Lock (PTL) / Power To Open (PTO) field interchangeable
Holding Strength	Up to 500kg Dynamic force: 60J (S5 according to AS4745.2)
Voltage/Current	12VDC ~ 90mA
Monitoring	NIL

Product Features

- One of the world's smallest strikes
- Easy installation
- Ideal for wooden, steel and aluminium frames
- Size to suit standard entrance set strike plates
- 12VDC low current draw
- Continuously rated solenoid
- Power To Lock (PTL) / Power To Open (PTO) field interchangeable
- 1 year warranty

FES112 SERIES

ELECTRIC STRIKE – HIGH SECURITY



The FES112 is purposely designed for heavy duty, high security applications where superior holding strength is required. Specifically suited for detention centres and correctional facilities where safety for all occupants is necessary.

The strike works in conjunction with a heavy duty double throw deadlock. With holding forces in excess of 1000kg, multiple monitoring functions and multi-voltage regulation, the FES112 is the perfect locking device for a variety of high security installations and retrofit high security projects. The device is supplied with a series 2 to series 3 simple change over switch.

Series 3 configuration provides the device with door position monitoring. In this configuration, the FES112 cannot be secured until the door is in the closed position and the lock monitoring tongue is depressed.

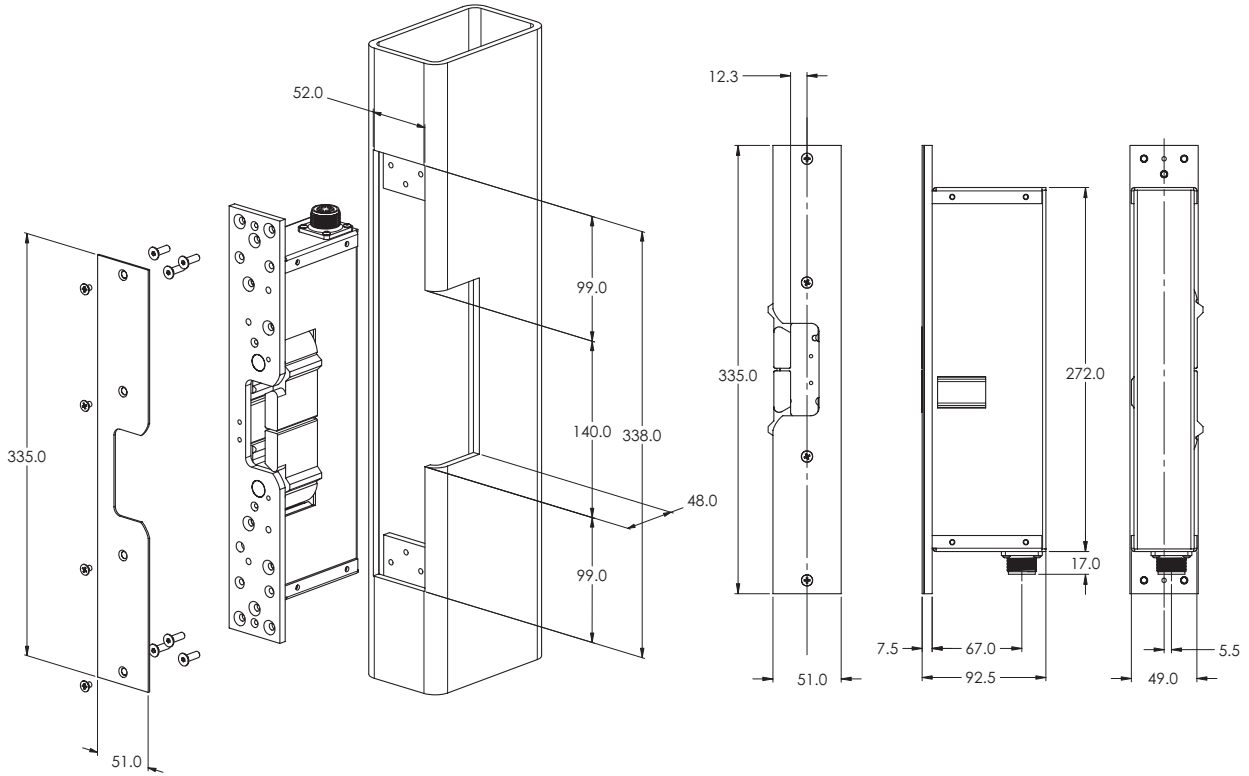
Technical Details

Part No.	FES112
Function	Power To Open (Fail Secure)
Holding Strength	Exceeds 1000kg
Voltage/Current	Multi Voltage 12-30VDC 1.5A @ 12VDC. 0.75A @ 24VDC
Monitoring	Strike Jaws Door Lock Bolt Status Sensor Door Position Reed Switch Anti-Tamper Sensor (strike plate removed)
Temperature Range	-20°C to +60°C
Lock Dead Bolt Dimension	Fully extended = 33-36mm Width = 10-17mm Height = 57-59mm

Product Features

- Ultra high holding force exceeds up to 1000kg
- Full monitoring (strike jaws, lock position, door position and cover plate)
- Multi Voltage operation 12-30VDC
- Smart Electronics, one lock for several applications
- Fail Secure, Power To Open (PTO) operation
- Body, high grade tooling steel hardened to 60 Rockwell
- Jaws, Molybdenum coated hardened steel
- Stainless steel faceplate and keeper
- 2 year warranty

Product Dimensions and Installation

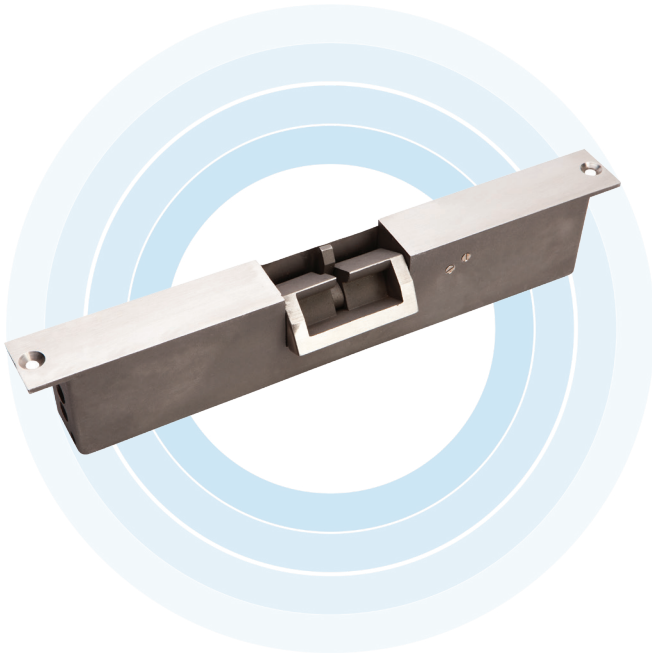


Product Code & Accessories

Part No.	Product Description
FES112	HIGH SECURITY DEADBOLT STRIKE FES112 SMART ELECTRONICS SERIES 2/3 SELECTABLE

FES110 SERIES

ELECTRIC DEADLOCK STRIKE – HIGH SECURITY



The FES110 Series electric deadlock strike's release mechanism has been designed to provide door access control while maximising security to a door assembly, fitted with square bolt deadlocks.

The FES110 monitors both door lock tongue and internal locking of the strike. The device is multi-voltage, accepting 12VDC–30VDC and has a 2 year warranty.

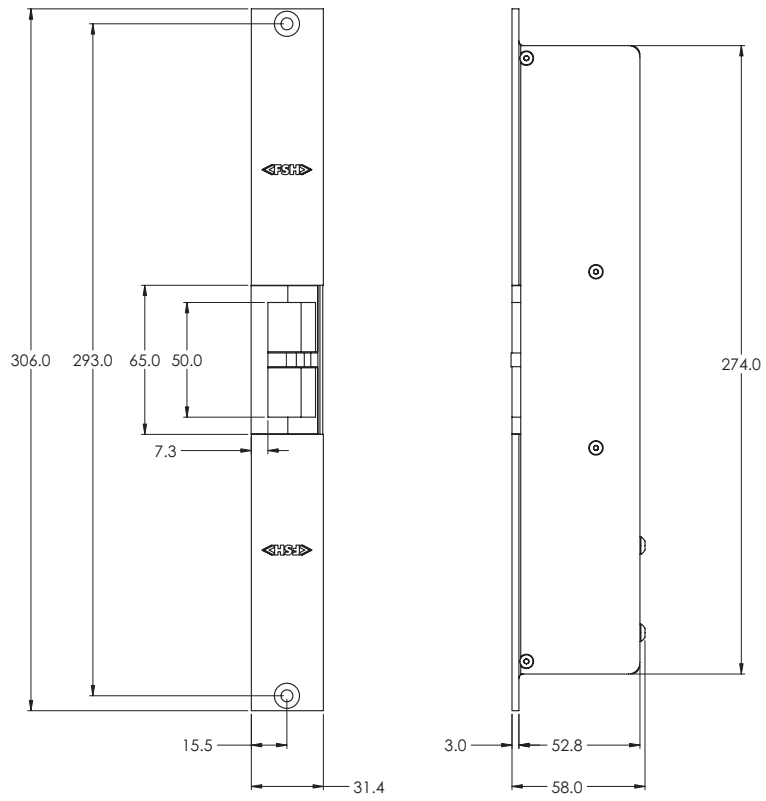
Technical Details

Part No.	FES110-PTL	FES110-PTO
Function	Power To Lock (PTL)	Power To Open (PTO)
Holding Strength	Up to 500kg	
Voltage/Current	12-30 VDC (Multi-voltage) 12V 600mA dropping to 220mA, 24V 350mA dropping to 12mA	
Approvals	Up to 2-hour fire rating (contact Allegion for more details)	
Monitoring	Lock Status Sensor (LSS) and Door Status Sensor (DSS)	
Dimensions	L= 306 x W= 32 x H= 58mm	

Product Features

- Stainless steel faceplate and keeper
- Holding strength of up to 500kg
- 2 year warranty
- Multi-voltage 12VDC–30VDC (has to be specified)
- Lock Status Sensor (LSS) and Door Status Sensor (DSS) monitoring
- PTO and PTL version available

Product Dimensions



About Allegion™

Allegion (NYSE: ALLE) is a global pioneer in seamless access, with leading brands like CISA®, Interflex®, LCN®, Schlage®, SimonsVoss® and Von Duprin®. Focusing on security around the door and adjacent areas, Allegion secures people and assets with a range of solutions for homes, businesses, schools and institutions. Allegion had \$2.9 billion in revenue in 2021, and its security products are sold around the world.

For more, visit www.allegion.com.au

Brio ■ <FSH> ■ *Gainsborough* ■ LEGGE ■ SCHLAGE

Due to continuous product development, some products may vary from that shown. The Allegion guarantee, shown on the pages within, applies only when properly installed and subjected to no more than fair wear and tear. This guarantee does not extend to labour costs, personal loss, death or injury or economic, consequential or property damage of any kind whatsoever. Due to the nature of the printing process, colours may vary from those shown in this brochure.

Allegion Australia

Freephone 1800 098 094

Email info.au@allegion.com

www.allegion.com.au

Allegion New Zealand

Freephone 0800 477 869

Email nzinfo@allegion.com

www.allegion.co.nz

999/FB_ELESTRI

© 2022 Allegion

